



# DiMarzio®

1388 Richmond Terrace • Staten Island, NY 10310 USA • Tel. (718) 981-9286 • FAX (718) 720-5296

## Installation Instructions for DiMarzio Model J™ and Ultra Jazz™ Pickups (DP123, DP147, DP148, DP149)

Your new pickup is a direct replacement for the original pickups in all U.S. Jazz Bases. (No modification to the Jazz Bass is necessary for installation.) The installation of an optional miniature switch will provide the pickup with series/parallel (Dual Sound). Phase reversal is also possible. (See diagrams on the flip side.)

### REMOVING THE ORIGINAL PICKUP

The neck pickup will be called pickup one (1); the bridge pickup will be called pickup two (2). Follow the instructions for the pickup(s) you are replacing.

1. Loosen or remove the strings.
2. Unscrew all screws fastening the pick guard to the bass and carefully remove the pick guard.
3. Unscrew the screws holding down the control plate and carefully turn it over so that the controls are exposed.
4. Unsolder the pickup leads from the volume pots. The hot lead is connected to the center leg of the pot. The ground is connected to the back of the pot. Be careful not to disconnect the other ground wire from the back of volume pot #2. Pickup one (1) is connected to volume pot #1, pickup two (2) to volume pot #2.
5. Unscrew the four screws holding each pickup in place and remove the original pickups. You are now ready to install the new pickups.

### INSTALLING THE NEW PICKUPS

1. It will be necessary to remove the foam rubber which is attached to the plate beneath the pickups, as the new pickups are slightly deeper than the original.
2. Cut a smaller piece of the packing foam, about 3" x 5/8" (75 x 16mm), and place it beneath each of the pickups to give them some cushioning.
3. Install the pickups in their respective compartments and run all four wires from each through to the control compartment.
4. Screw the pickup in with the included mounting screws.

### WIRING THE PICKUPS

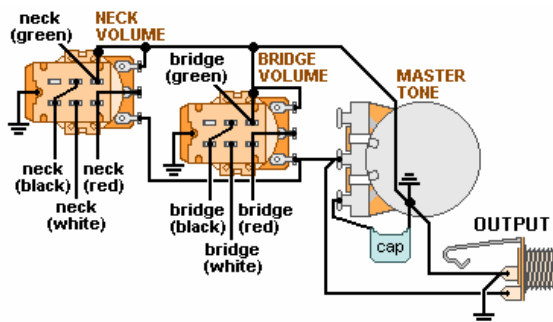
1. Solder the red wire of each pickup to the center leg of its respective volume pot.
2. Solder the green wire of each pickup to the back of its respective volume pot.
3. The standard wiring for most humbuckers is series humbucking. To do this, solder the black wire and white wire together. Put a piece of tape on this connection so that it does not touch any other part of the circuit. The wiring is now complete.

### REASSEMBLING THE BASS

1. Replace the control plate and pick guard.
2. Now restring the bass. Adjust overall pickup height with the mounting screws. The two pickups should be adjusted so that, with either at maximum volume, the level is relatively even. If your new pickup comes with adjustable polepieces, they can be adjusted in pairs--two per string, (if necessary) to compensate for any volume imbalance between individual strings.

### Alternative wiring possibilities

Two (2) Push/Pull Volume Controls for Dual Sound



Push/Pull Volume Controls for Dual Sound, Tone Phase Switch

