

BS-12 Datasheet



BS-12 is an ultra-compact, invisible style subwoofer, designed for installation or portability. With exceptional low frequency of 38 Hz and fast response time of the 12" long excursion driver, the BS-12 is capable of 128 dB SPL. Weighing 23kg with integrated handles this product is perfect for portable use. With discreet installation in mind, the 333mm low profile design allows for easy installation under industry standard fixed seating.

BS-12 is a 12" reflex tuned subwoofer designed to be used with the BT series of mid high cabinets extending low frequency response. This conventionally shaped cabinet can be hidden against a wall or under seating. When used in multiples the BS-12 can cover a large room and still blend in nicely to the interior. The discreet design with reticulated foam front and acrylic textured paint finish and multiple integrated fixing points achieves a high class look suitable for any application.

Mounting options include a threaded insert for pole mounting of mid-high cabinets, location cups for easy storage or stacking together when used in a larger system and internal pocket handles for easy transportation.

The rear connector plate has two binding post connections wired +1-1 & two 4 pin speakON® connectors fitted as standard, one input and one link. The speakON® connectors are wired on pins +1-1, with pass through of pins +2-2.

Key Features:

- Compact small physical footprint
- 12" Long excursion driver
- Exceptional low frequency of 39 Hz
- 129 dB SPL
- Integrated stacking system
- Designed for portable use or fixed installations

Technical Specifications

Design

1 x 12" Subwoofer Cabinet,
Reflex Tuned

Impedance

8 Ohm

Power Handling (AES)

300 Watts (continuous)

Max. Power Handling (AES)

600 Watts (program)
1200 Watts (peak 10 ms)

Sensitivity 2.83V / 1m

96 dB

Max. SPL

122 dB cont
128 dB peak

Usable Frequency Range (-10 dB)

38 Hz - 110 Hz

Dispersion

Omni

SYSTEM OPERATION

Recommended Amplification

300 - 600 Watts

System Controller

Omega DSP Solutions

Speaker Cables

Min - 2 x 2.5 mm²
Preferred - 2 x 4 mm²

PRODUCT FEATURES

Components

1 x 12" Low Frequency Driver

Crossover

Passive - -

Active - * LPF - 125 Hz
 HPF - 45 Hz

Connectors

2 x Speakon Connectors
2 x Binding post Connectors

Dimensions (H x W x D mm)

333.3 x 400 x 606

Weight (kg)

23

Shipping Weight (kg)

24 (1 cabinet per carton)

Colour

Black

Options

Available in white or RAL colours on request

Rigging

-

HARDWARE

Fitted as Standard

TP-1P, Foot and cups stacking System.

Optional

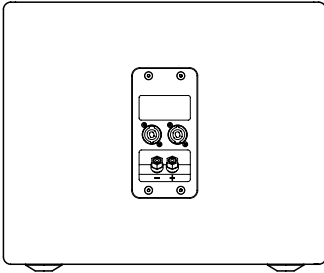
TP-1 Adjustable threaded pole.

Additional Descriptive Data

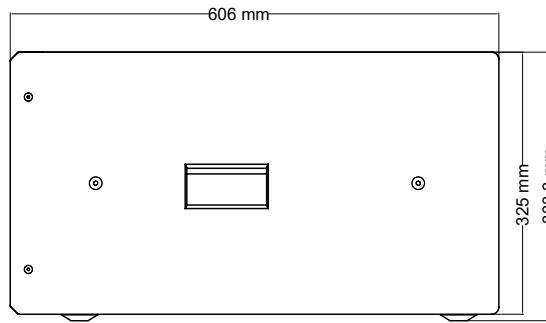
Birch Ply construction, with durable scratch resistant black textured paint finish, kick proof grill and stainless logo.

BS-12 Dimensions

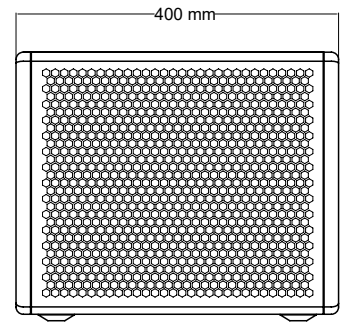
Front



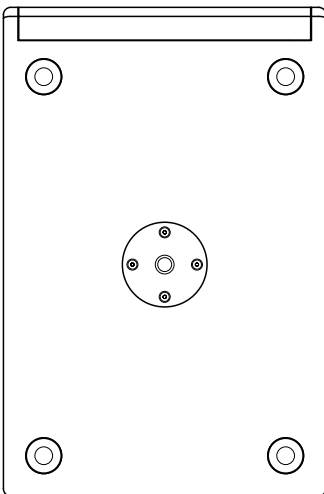
Side



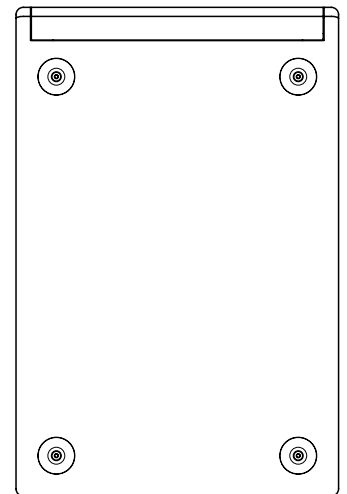
Back



Bottom

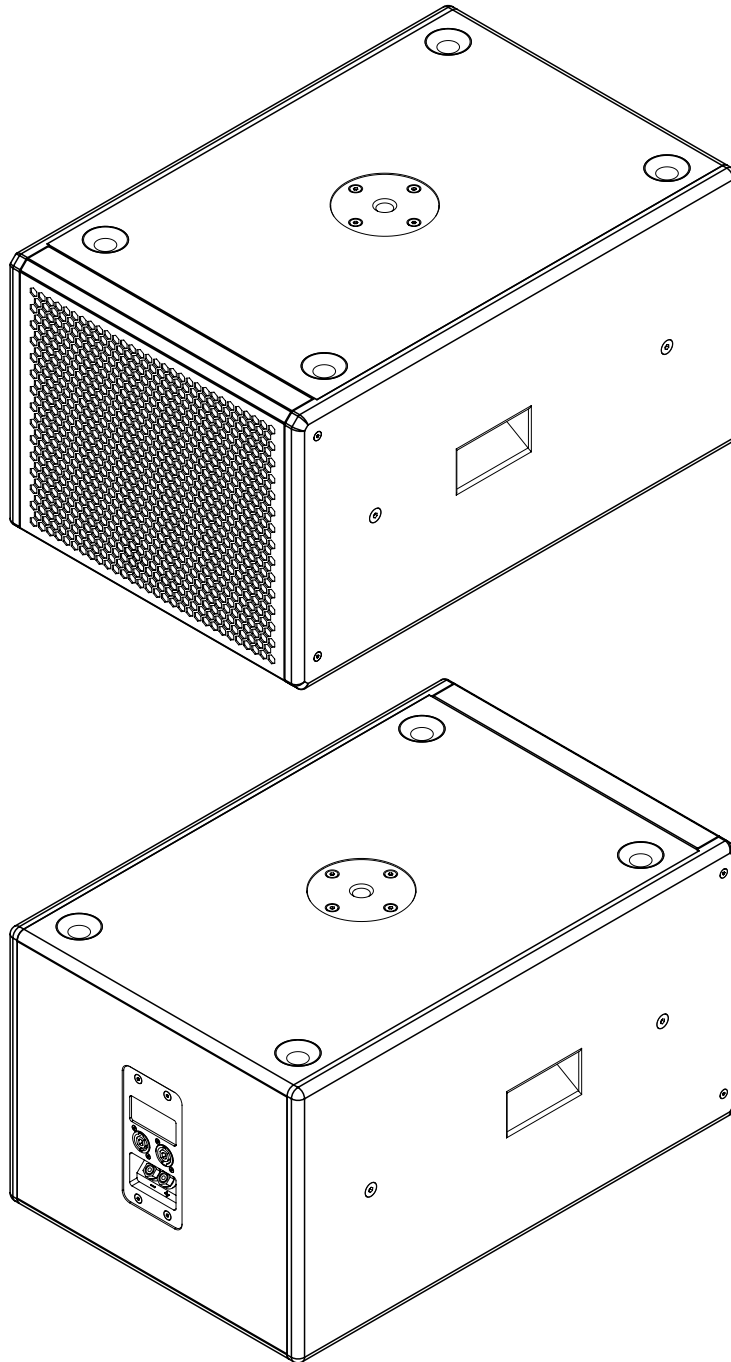


Top



Further technical drawings for architectural requirements are available in DXF and DWG format for download on the website.

BS-12 3D View



Accessories and Spare Parts

- TP-1 adjustable threaded pole
- Foot and cups stacking system
- TP-1P threaded mounting plate
- 1 x 12" low frequency driver
- BS-12 steel grill assembly
- BS-12 backplate assembly
- Steel Omega logo

Architects' & Engineers' specifications:

Reflex tuned subwoofer enclosure design, housing 1 x 12" proprietary low frequency driver, Birch Ply construction, with durable scratch resistant black textured paint finish, Foot and cup stacking system to allow multiples to be easily stacked. kick proof steel grill finished with internal reticulated foam and Steel Omega logo.

Technical Data:

Frequency Response: 38 Hz - 110 Hz (-10dB), Continuous SPL: 122 dB/1m, Program SPL 125 dB/1m, Peak 128 dB/1 m. Power Handling: 300 Watt cont. IEC268 AES, Maximum Power Handling: 600 Watt prog. / 1200 Watt peak, Impedance Nominal: 8 ohm, Dispersion Nominal: OMNI (hor. x vert.) rotational, Connectors: 2 x Speakon NL4MP (1+/1-, 2+/2-links), 2 x Binding posts. Dimensions (H x W x D): 333.3 mm x 400 mm x 606 mm, Weight: 23 kg. Options: RAL colours available to order.

Safety Instructions

Professional speaker systems are able to produce sound pressure levels that could harm your health.

Never stand directly in front of loudspeakers for long periods. Whilst not immediately apparent to the listener, sound pressure levels in excess of 90dB@1m can be hazardous to the hearing.

Please refer to the following advice when setting up or dismantling OMEGA speaker systems.

1. Be sure to leave adequate distance between speakers and the public. Refer to your local authority for Health and Safety guidance when using loudspeaker systems.
2. Be sure to have safe and stable ground for your speakers, particularly when using speaker stands.
3. When stacking speaker systems, ensure they are secured to prevent individual speakers from falling down or moving around.
4. Only use OMEGA mounting hardware, as this has been specified and approved by KHZ LTD, for use with OMEGA speakers.
5. When flying speakers, appropriate materials and techniques must be employed in order to safely suspend enclosures, taking care to allow for specified enclosure weight.
6. Please observe any special instructions that appear on specific loudspeaker data-sheets.
7. Check your speaker hardware and flying material regularly for any visual or mechanical

Safety Instructions Cont.

failure. Replace damaged or suspect items when necessary.

8. Only use OMEGA DSP Solutions. Only technicians authorised by KHZ LTD are qualified to program digital controllers. Take note of recommended controllers as specified on the datasheets. Do not use OMEGA loudspeaker systems without the correct controller. If a system fails due to incorrect controller use, warranty is void.

9. Protect your speakers and electronics from freezing and do not expose them to humidity, water or rain without protection.

OMEGA loudspeakers and electronics are covered against defects in workmanship or materials for a period of two (2) years from original date of purchase. At the discretion of KHZ LTD, the defective item will be repaired/replaced with no charge for materials or labour. The item is to be adequately packed and dispatched, pre-paid, to an OMEGA authorised distributor/service centre. Unauthorised repair shall void the warranty. The OMEGA warranty does not cover cosmetics or finish and does not apply to any item which in OMEGA's opinion has failed due to user abuse, accident, modifications or any type of misuse.

Disclaimer

Copyright © 2022 KHZ LTD

The content of this datasheet is protected by U.K. and foreign copyright law and is for the private use of users of OMEGA products. Unauthorised use of the contents of this datasheet may violate copyright, trademark and other laws.

THE CONTENT OF THIS DATASHEET IS PROVIDED FOR INFORMATIONAL PURPOSES ONLY, AND IS SUBJECT TO CHANGE WITHOUT NOTICE.

KHZ LTD MAKES NO REPRESENTATION ABOUT ACCURACY, RELIABILITY OR TIME-LINES OF THE CONTENT OF THIS DATASHEET OR THE RESULTS TO BE OBTAINED FROM USING ANY PART OF SUCH CONTENT. ALL WARRANTIES, EXPRESS OR IMPLIED RELATED TO SUCH CONTENT, INCLUDING THE WARRANTY OF MERCHANT AND FITNESS FOR A PARTICULAR PURPOSE, ARE DISCLAIMED.

Technical specifications, dimensions, weights and properties do not represent guaranteed qualities. This datasheet does not include all of the details of design, production or variations of the equipment.

G.S.S.S.[™], S.A.L.T.[™] Plate Array Skeleton[™], Zero Acoustic Signature, Technology[™] and H.T.V.C.[™] are trademarks of KHZ LTD. All third-party trademarks mentioned herein are the property of their respective owners.