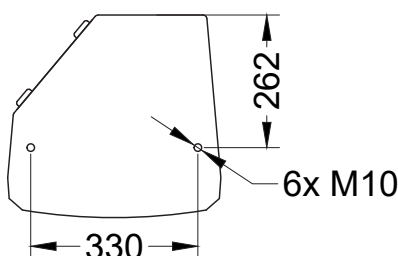
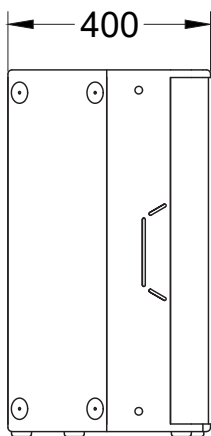
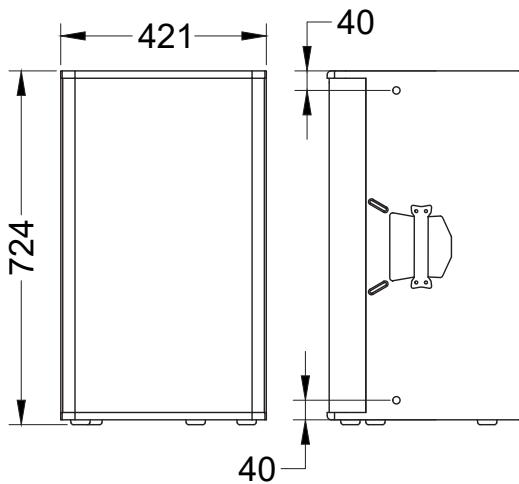


Z 350A

FULL-RANGE POWERED SPEAKER

Z series was created to deliver the power and professional sound quality into various indoor and outdoor spaces while keeping budget considerations in check.

Z 350A is a compact powered 15"+1" speaker, designed for both FOH sound and stage monitoring purposes. Equipped with angle-adjustable pole mount adapter and M10 mounting points, Z 350A is a versatile solution for many sound reinforcement applications.



Main features:

- 500 + 150 W nominal power
- 15" woofer with 2,5" voice coil
- 1" HF driver with 1,75" voice coil
- 133 dB Max SPL
- Adjustable pole mount adapter

Frequency Response (-10dB)	45 - 20000 Hz
Max SPL (calculated)	133 dB
LF Driver	15", 2,5" VC
HF Driver	1", 1,75" VC
Nominal Coverage Angle (Horizontal x Vertical)	100 x 50 deg
Amplifier power	500+150 W
Amplifier	Class D, fan cooling, DSP with phase-linear FIR
Input sensitivity	0 dBV (1 V RMS)
Connectors	XLR input, XLR output, Powercon mains
Dimensions (WxHxD)	421x724x400 mm
Net weight	22,4 kg
Shipping weight	24,9 kg
Mounting	10x M10 mounting points, 35mm adjustable pole socket
Enclosure material	Plywood; wear-resistant paint
Grill	Steel grill, polymer protective net

With dedication to constant improvement of the products, manufacturer may change the listed specifications without prior notice