

PAVIRO Call Station

www.boschsecurity.com



BOSCH
Invented for life



- ▶ Announcement LED indication on microphone cap
- ▶ 15 free programmable function keys
- ▶ Integrated numeric keypad
- ▶ Soft touch selection buttons

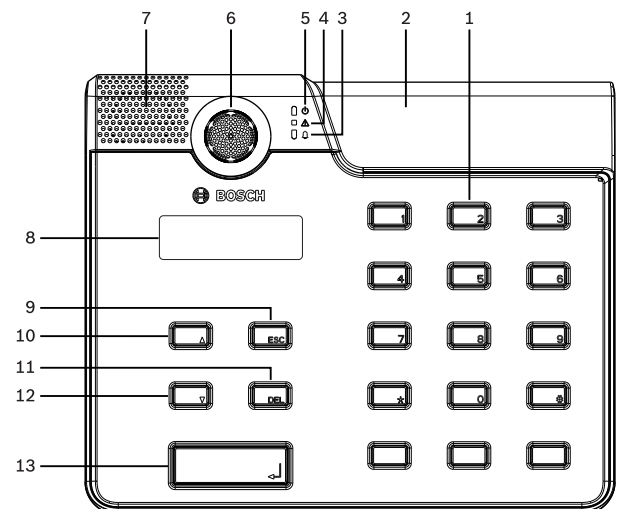
The PVA-15CST is a call station for the PAVIRO system. As standard, the call station has a gooseneck microphone with pop shield and permanent monitoring, a total of 20 buttons, an illuminated LC display, and an integrated loudspeaker. The call station can be modified to suit the user's requirements by connecting up to five PVA-20CSE call station extensions, each with 20 customizable selection buttons.

Other properties:

- Five menu/function keys (pre-programmed) – one green or one yellow indicator light per button
- 15 selection buttons (customizable) – two indicator lights (green/red) per button
- Label with transparent covering – the label can be changed at any time
- Can be used as a standing or desk/rack flush-mounted device
- Internal monitoring with error logging – complying with all relevant national and international standards
- Easy configuration – use of the Configuration Wizard or IRIS-Net software

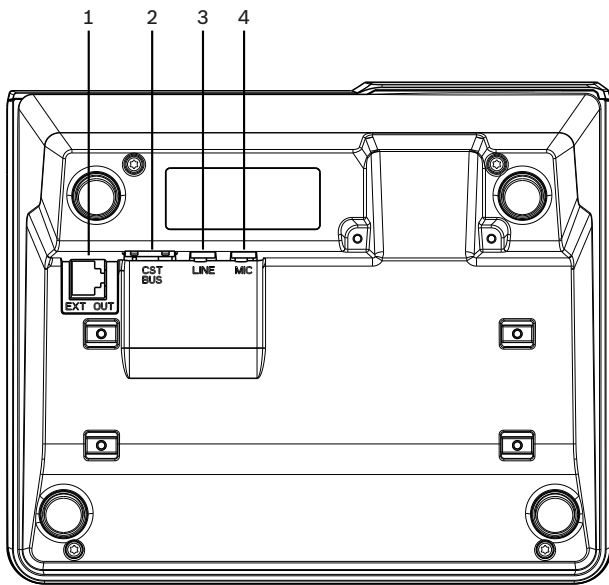
For more information (particularly regarding commissioning), see the PVA-15CST operating instructions and the IRIS-Net documentation.

System overview



- 1 Selection buttons
- 2 Button installation slots
- 3 Voice alarm indicator light

- 4 General fault warning indicator light
- 5 Power indicator light
- 6 Microphone
- 7 Loudspeaker
- 8 Display
- 9 ESC button
- 10 ↑ button
- 11 DEL button
- 12 ↓ button
- 13 ↵ button



- 1 EXT OUT port
- 2 CST BUS port
- 3 LINE port
- 4 MIC port

Certifications and approvals

- IEC 60065
- EN 61000-6-3
- EN 50130-4

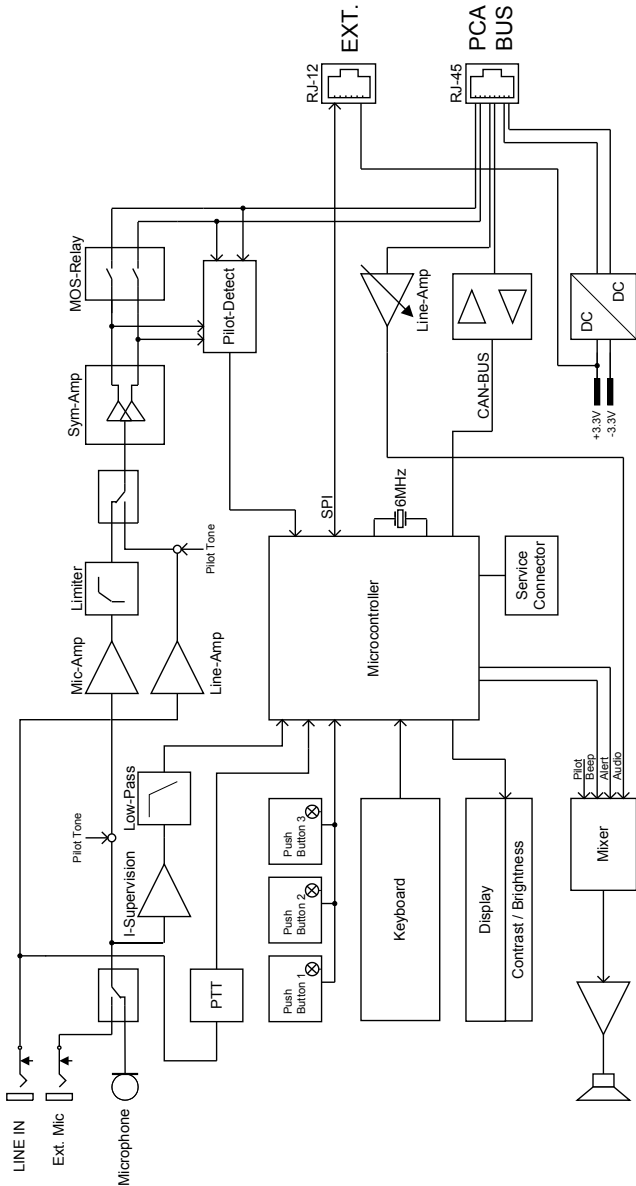
Parts included

Quantity	Component
1	PVA-15CST
1	Patch cable (3 meters)
7	Blank paper strips
1	Strain relief (bracket)

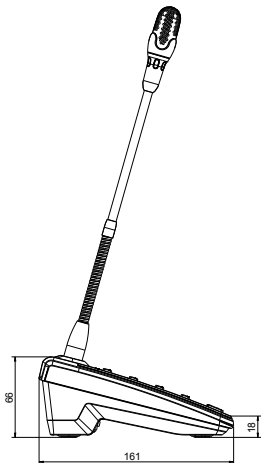
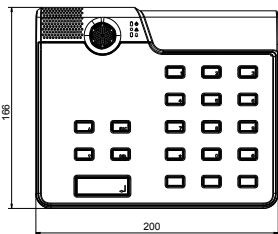
Quantity	Component
2	Screws for strain relief
1	Cover release tool
1	Operation manual
1	Important safety instructions

Technical specifications

CAN BUS port	10, 20, or 62.5 kbit/s, 1 × RJ-45, max. length 1000 m
Maximum mic input level	-21 dBu
Maximum line input level	+4 dBu
Maximum NF output level	+12 dBu
Buttons	5 pre-programmed, 15 programmable zone/function keys
Color	RAL 9017 (traffic black)
Indicator lights	Power (green), Fault (yellow), Alarm (red) Green or yellow LED per pre-programmed menu button Green and red LED per programmable zone/function key
LC display	Back-lit LC display (122 × 32 pixel)
Ports	1 CST BUS port (Control data + Audio + Power supply, RJ-45) 1 audio source (line level, phone jack) 1 microphone port (phone jack) 1 EXT OUT port (call station extension, RJ-12)
DC power input	15–58 V
Maximum supply current (without call station extensions)	Standby/Idle/Announcement/Alert: 24 V / 80 mA / 1.92 W
Maximum supply current (with 5 call station extensions)	Standby/Idle/Announcement/Alert: 24 V / 190 mA / 4.56 W
Operating temperature	-5 °C to 45 °C
Electromagnetic environment	E1, E2, E3
Product dimensions (Width × Height × Depth)	200 × 166 × 66 mm (without microphone)
Net weight	0.6 kg
Shipping weight	1.1 kg



Circuit diagram



Dimensions of Call Station

Ordering information

PAVIRO Call Station
Order number PVA-15CST

Accessories

PVA-20CSE PAVIRO Call Station Extension
Order number PVA-20CSE

PVA-1EB PAVIRO Emergency button
Order number PVA-1EB

PVA-1KS PAVIRO Key Switch
Order number PVA-1KS

Represented by:

Americas:

Bosch Security Systems, Inc.
12000 Portland Avenue South
Burnsville MN 55337, USA
Phone: +1-800-392-3497
Fax: +1-800-955-6831
audiosupport@us.bosch.com
www.boschsecurity.com

Europe, Middle East, Africa:

Bosch Security Systems B.V.
P.O. Box 80002
5617 BA Eindhoven, The Netherlands
Phone: + 31 40 2577 284
Fax: +31 40 2577 330
emea.securitysystems@bosch.com
www.boschsecurity.com

Asia-Pacific:

Robert Bosch (SEA) Pte Ltd, Security
Systems
11 Bishan Street 21
Singapore 573943
Phone: +65 6571 2808
Fax: +65 6571 2699
apr.securitysystems@bosch.com
www.boschsecurity.asia

China:

Bosch (Shanghai) Security Systems Ltd.
201 Building, No. 333 Fuquan Road
North IBP
Changning District, Shanghai
200335 China
Phone +86 21 22181111
Fax: +86 21 22182398
www.boschsecurity.com.cn

America Latina:

Robert Bosch Ltda Security Systems Division
Via Anhanguera, Km 98
CEP 13065-900
Campinas, Sao Paulo, Brazil
Phone: +55 19 2103 2860
Fax: +55 19 2103 2862
latam.boschsecurity@bosch.com
www.boschsecurity.com