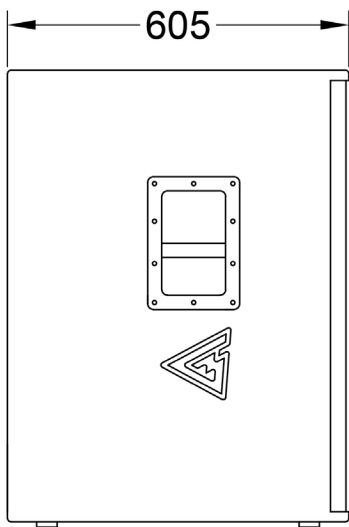
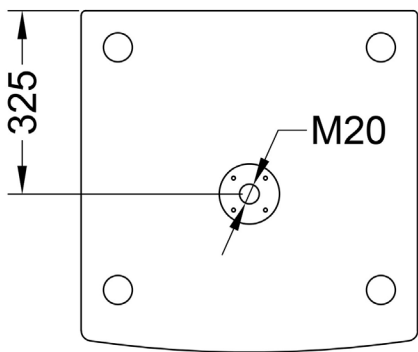
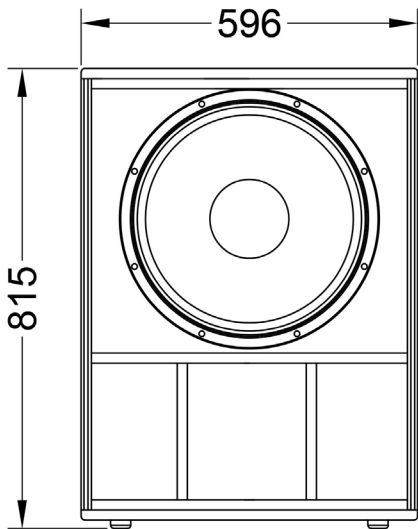




MD 802B

PASSIVE SUBWOOFER



Main features:

- 1000W nominal power
- 18" woofers with 4" voice coil
- 133 dB Max SPL
- Efficient vented box design
- M20 distance pole adapter

Frequency Response (-10dB)	35 - 200 Hz
Max SPL (peak)	133 dB (calculated)
Sensitivity (1W/1m)	97 dB
LF Transducer	18", M1804
Impedance	8 Ohm / 4 Ohm
Nominal power	1000 W
Program power	2000 W
Peak power	4000 W

Connectors	2x Neutrik Speakon
Dimensions (WxHxD)	596x815x605 mm
Net weight	52 kg
Shipping weight	54 kg
Mounting	M20 distance pole adapter
Transportation	4x 80mm removable castor wheels
Enclosure materials	Plywood; wear-resistant paint
Grill	Steel grill, polymere protective net
Color	Black

Acoustical & Electrical data

Connections, physical data and exploitation