

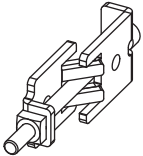
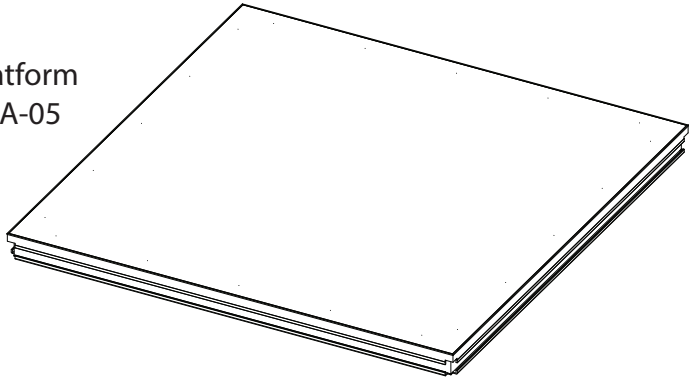
USER MANUAL

SCA 05 STAGE DECK

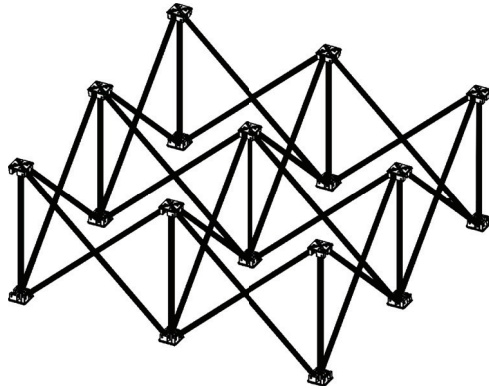
Parts

STAGE DECK SCA05

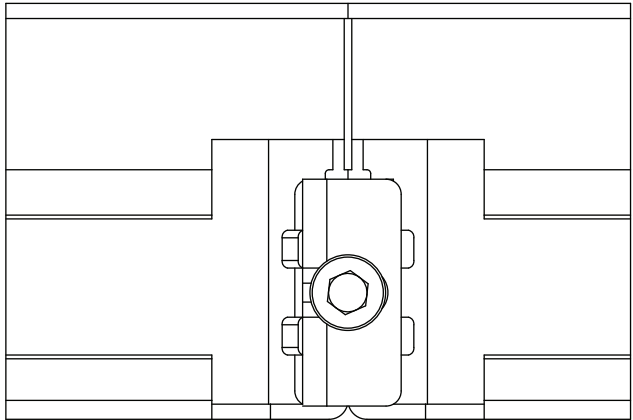
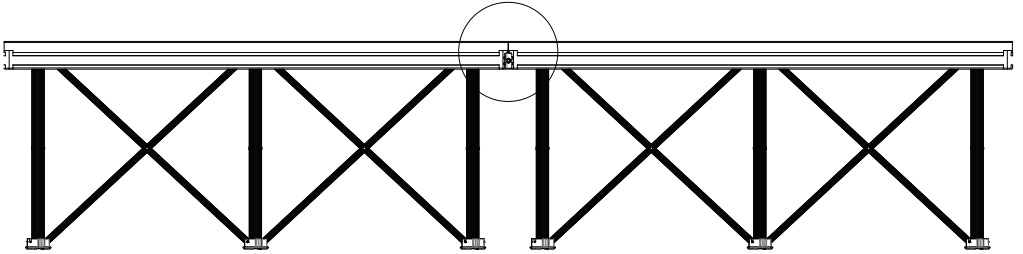
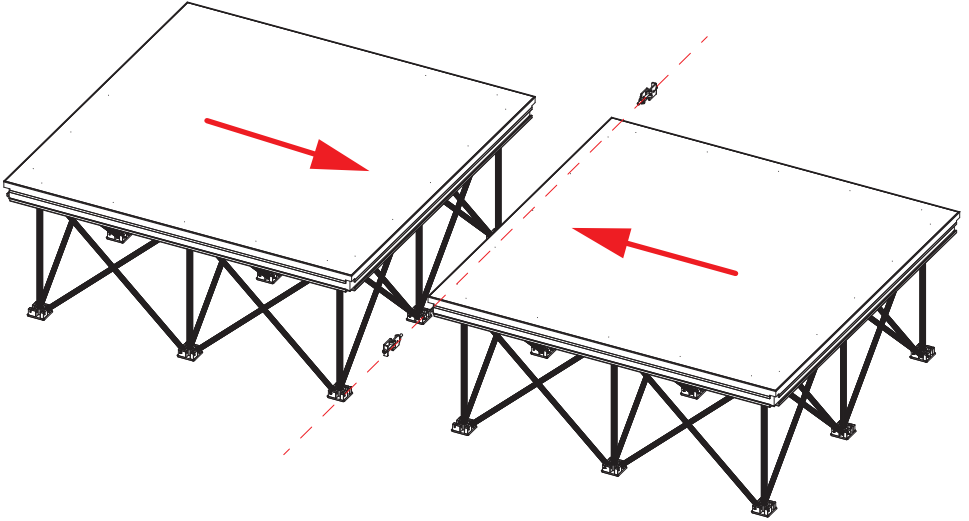
Platform
SCA-05



Clamping clamp
SCD-24

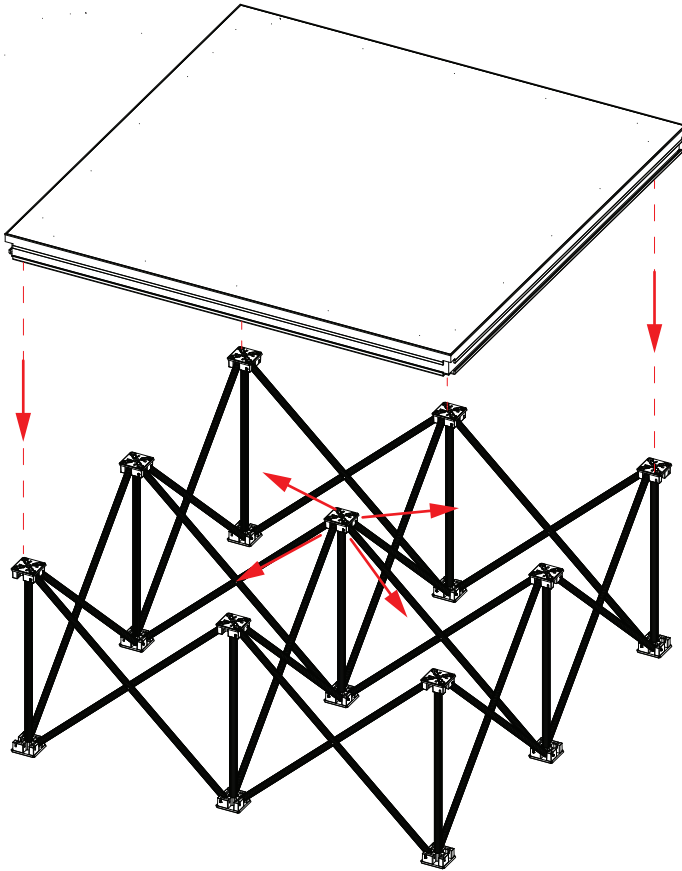


Raisers
SCA-05



Assembly

STAGE DECK SCA05



1. Unpack your platform and risers
2. Expand riser completely
3. Properly align platform and place onto riser.
Verify that all riser to platform connection points and corner locking mechanisms are properly aligned in their platform hole
4. To assemble steps, follow the same

