

This addendum describes how to upgrade the FC-7501 to a FC-7501P.

1 Inserting the 7501M Module

Improve the *SDI Pixel Jitter* by converting the **FC-7501** to a **FC-7501P** (an Analog Video to SDI Converter with very low jitter), as follows:

1. Unfasten the two pairs of screws on each side of the cover of the **FC-7501** and remove the cover, as Figure A1 illustrates:

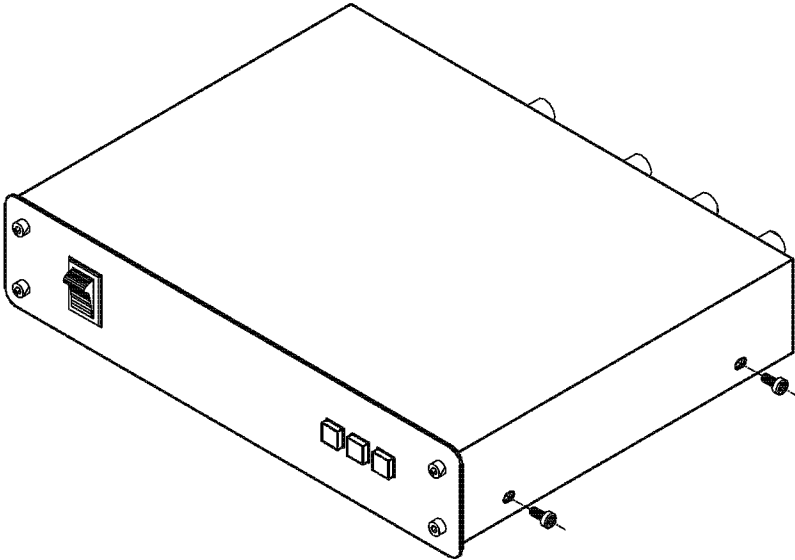


Figure A1: Removing the Cover of the FC 7501

2. Remove the Jumpers, J7 and J8, and insert the optional **7501M** module (“PLL board”) onto the two sets of 16 pins, and secure it to the spacer by fastening the washer¹ and screw¹, as Figure A2 illustrates:

¹ Supplied with the 7501M optional module

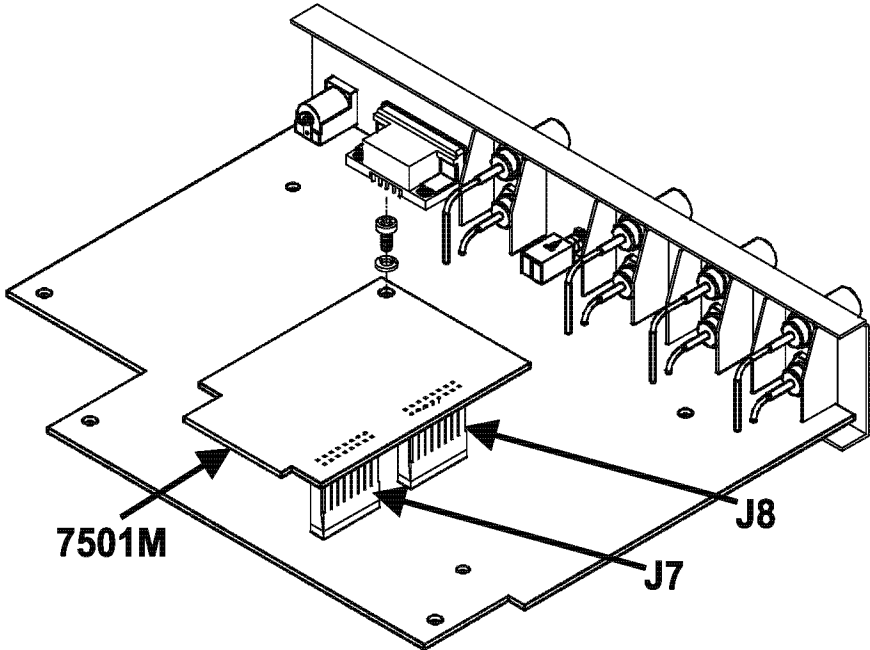


Figure A2: Upgrading the FC-7501 to FC-7501P by inserting an optional 7501M module

3. Replace the cover on the FC-7501, and secure it in place by fastening the two pairs of screws on each side of the cover.
The FC-7501P is an upgraded FC-7501 unit (with the 7501M added).