



DDJ-SZ2 DEALER DECK

WWW.PIONEERDJ.COM

FREEDOM TO CONTROL – MEET THE DDJ-SZ2 CONTROLLER DEDICATED CONTROLS FOR NEW SERATO DJ FEATURES

We've upgraded our flagship Serato DJ controller to create the DDJ-SZ2. You can use the new 4-channel controller to get hands-on with the latest additions to Serato DJ, including key shift, key sync, pitch play and Serato Flip. The multicoloured Performance Pads give you instant feedback on pad modes and playing statuses and, thanks to the improved jog wheel latency, scratching is more responsive and precise than ever.

To help you get the most out of the controller, the DDJ-SZ2 comes bundled with the latest version of Serato DJ. The Pitch 'n Time DJ and Serato Flip expansion packs are also included so you can use several new features including pitch play and key sync.

We're putting a voucher for a free Serato Video expansion pack download in the boxes of the first 3,000 DDJ-SZ2 controllers that we ship worldwide. This comes along with the Serato DJ, Pitch 'n Time DJ and Serato Flip expansion packs bundled with the controller as standard so, if you're one of the first DJs to buy the DDJ-SZ2, you'll have full control of audio and video performances.

1. [Layout mirrors CDJ-style set-up](#)

Mix and scratch instinctively on the controller, which looks and feels similar to a full professional CDJ + DJM set-up.

Big Jogs: Scratching feels natural on the Big Jogs taken from the CDJ-2000NXS2, and the illuminating On-Jog Display gives you information about the current playback status and position for more precise performances. Jog Feeling Adjust, also from the CDJ series, lets you customise the resistance and backspin time.

Multicoloured Performance Pads: Use the large, multicoloured tactile Performance Pads to trigger Hot Cues, samples and FX. Hit the pads harder to increase the volume of samples and watch their colours change as they indicate the selected pad mode and playing status.

DJM-style mixer section: Stay in control at all times thanks to the simple layout of the mixer section, which mirrors the design of the DJM series.

2. [Dual USB port for smooth DJ changeovers](#)

Dual USB ports let you hook up two computers at the same time and use the top-loaded A/B switch for seamless DJ transitions.

3. [Native support and dedicated controls for new Serato DJ features](#)

Key shift, key sync and pitch play: • Use dedicated controls to trigger the new key shift and key sync functions in Serato DJ, which let you adjust the key of tracks and sync the keys of tracks during mixes. Pitch play lets you play your Hot Cues across a range of different keys and assign them to the controller's Performance Pads.

Serato Flip: Create and save Hot Cue sequences to make custom edits of your tracks and use the dedicated Serato Flip controls to play them back at the touch of a button. Get even more creative by skipping or repeating track sections on the fly.

4. [Professional performance features and FX](#)

Sound Colour FX: Spice up your sets with the four popular Sound Colour FX from our DJM series: Echo, Jet, Pitch.

Oscillator: Add texture and tension to your tracks with the four oscillator sounds: Noise, Drop, Laser and Siren. Turn the oscillator parameter knob to create new tones.

5. [Magvel crossfader](#)

The Magvel crossfader – taken from the club standard DJM-900NXS2 – is the ultimate to mix and scratch with. Accurate and smooth, it's durable for more than 10 million movements and is liquid and dust resistant.

6. [High-quality sound](#)

Hear your tracks loud and clear thanks to the audio circuit inherited from professional Pioneer DJ gear. Contact resistance is reduced by the AC inlet and a high performance D/A converter and low jitter crystal oscillator made by Cirrus Logic, Inc., meaning the DDJ-SZ2 reproduces clear and powerful sound that's faithful to its source.

7. [Other features](#)

Plug and play: Simply connect your laptop and start mixing via Serato DJ. All buttons and controls, as well as the built-in sound card, are Serato DJ-ready.

Aluminium-finished top panel and jog wheels: For a quality look and feel.

Slip Mode: Silently keeps a track playing during a loop, scratch or Hot Cue. Release the jog wheel and the track comes back at exactly the right place.

Needle search pad: Instantly jump to a specific part of a track with a simple touch of the pad.

Peak limiter: Controls clipping of the master output, even when output audio level is exceeding.

P-Lock Fader Cap: Locks all fader knobs to prevent dropping.

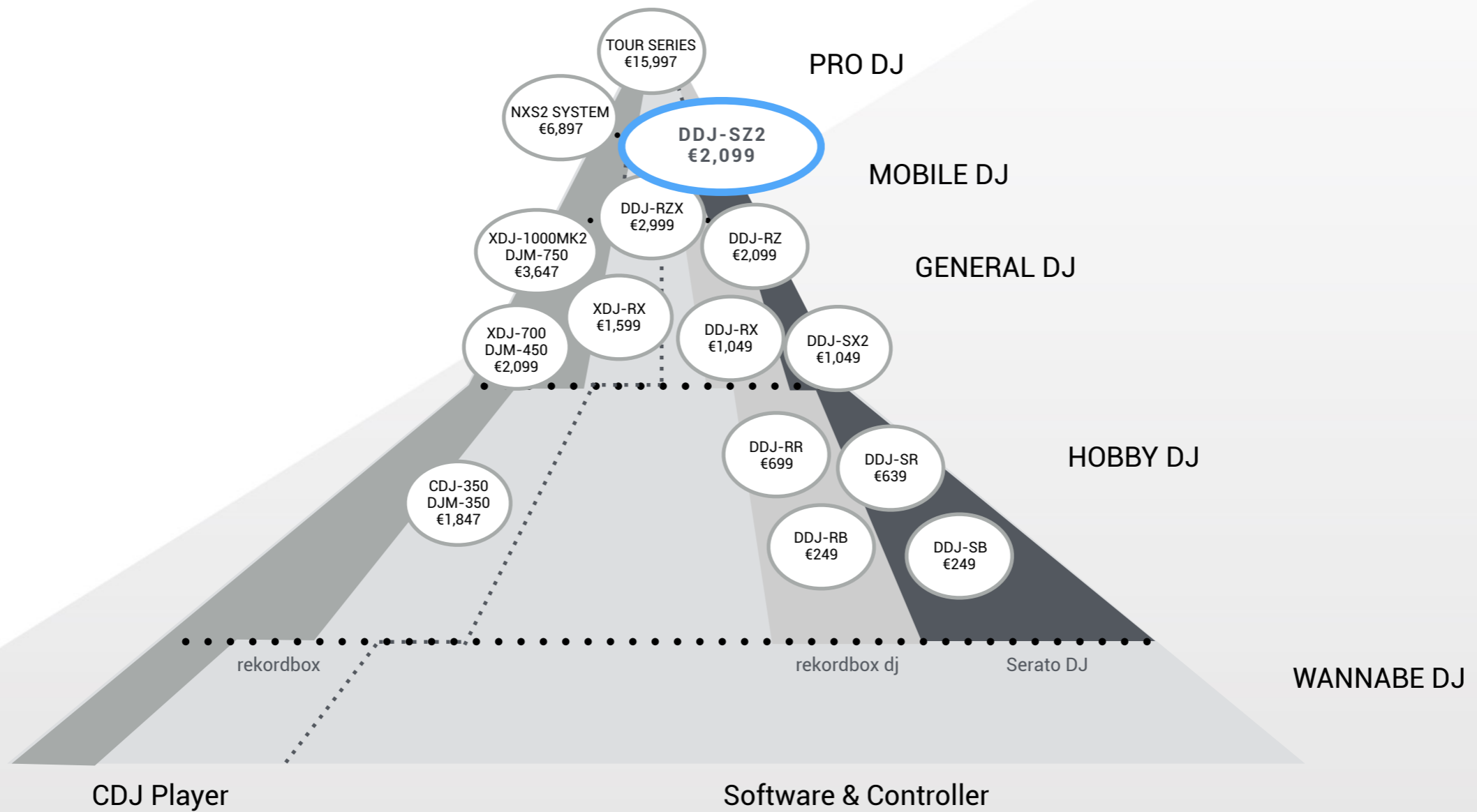




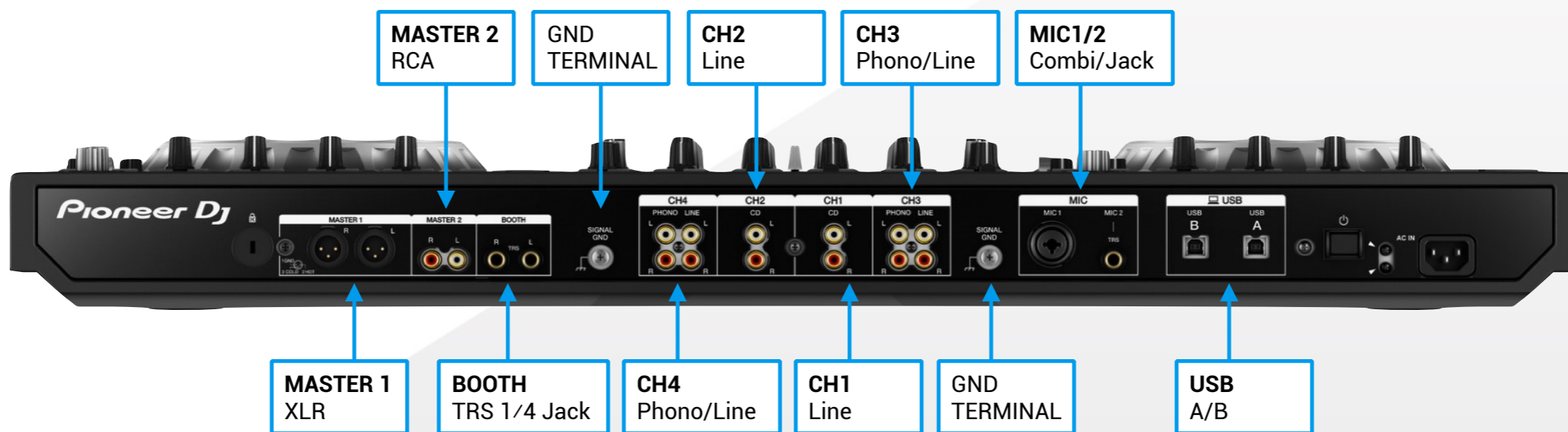




MOBILE DJ







PITCH PLAY IS A NEW FEATURE IN CONJUNCTION WITH PITCH 'N TIME DJ THAT ALLOWS YOU TO PLAY CUES ACROSS A RANGE OF DIFFERENT KEYS

1. To enable **PITCH PLAY** hold SHIFT then press SAMPLER.
2. To select a cue point while using **PITCH PLAY** hold SHIFT then press a performance pad of the cue point you want to select.



3. There are 3 key ranges to choose from. The below images show pitched key ranges (in semitones) while using the 8 performance pads in **PITCH PLAY** mode. To toggle between key ranges press the left or right PARAMETER 1 buttons. The root key (pad 0) is always lit white which will play the cue point at it's regular pitch. When in **PITCH PLAY** mode pressing a pad will pitch the currently selected cue point up or down the following ranges:



UPPER RANGE
Up 7 Semitones



MID RANGE
Up 3/Down 4 Semitones



LOWER RANGE
Down 7 Semitones

	DDJ-SZ2	DDJ-SZ	DDJ-RZ	MC-X8000
PRICE	€2099	€2099	€2099	€1299
				
USB PORT (USB drives)	No	No	No	2
BIG JOG	Yes (low latency)	Yes	Yes (low latency)	Yes (low latency)
MULTI COLOUR PERFORMANCE PAD	Yes	Yes	Yes	Yes
DUAL USB PORT	Yes	Yes	Yes	Yes
CROSS FADER	MAGVEL FADER	MAGVEL FADER	MAGVEL FADER	Yes
FLIP/SEQUENCER	Yes (FLIP bundled)	No (not bundled)	Yes (SEQUENCER)	Yes
KEY SHIFT/SYNC	Yes (PITCH N'TIME DJ bundled)	No (not bundled)	No	Yes
PITCH PLAY MODE	Yes (PITCH N'TIME DJ bundled)	No (not bundled)	No	No
SERATO DJ/REKORDBOX DJ FX	Yes (post fader possible)	Yes (post fader impossible)	Yes (post fader possible)	Yes (post fader possible)
RELEASE FX	No	No	Yes	No
COLOUR FX	Yes	Yes	Yes	No
PAD FX	No	No	Yes	No
OSC	Yes (improved)	Yes	Yes (improved)	No
BEAT JUMP	No	No	Yes	No
GRID ADJUSTMENT	No (no hard U/I)	Yes	Yes	Yes
DVS	No (not bundled)	Yes (bundled)	Yes (bundled)	Yes
SLIP MODE	Yes	Yes	Yes	Yes
NEEDLE SEARCH	Yes	Yes	Yes	Yes
QUANTIZE	Yes	No (no hard U/I)	Yes	No (no hard U/I)

Input Ports	CD/Line x 4 (RCA), Phono x 2 (RCA), MIC x 2 (XLR & ¼-inch TRS jack x 1, ¼-inch TRS jack x 1)
Output Ports	Master Out x 2 (RCA x 1, XLR x 1), Booth Out x 1 (¼-inch Stereo Phone jack), Headphone Monitor Out x 2 (Front ¼-inch TRS jack, 3.5 mm stereo mini jack)
Other Ports	USB (Type B) x 2
Sampling Rate	44.1 kHz
D/A Converter	24-bit
A/D Converter	24-bit
Frequency Response	20 Hz ~ 20 kHz
Total Harmonic Dist. Rat.	0.002% or less (USB), 0.004% or less (LINE)
S/N Ratio	111 dB or above (USB)
Hedroom	19 dB
Maximum Dimensions	870 (W) x 98.4 (H) x 419.5 (D) mm, 34.25 (W) x 3.87 (H), 16.51 (D) Inch
Weight	10.7 kg

- **Is the DDJ-SZ2 also a stand-alone mixer?**
 - Yes.
- **Can you use a DDJ-SP1 in conjunction with the DDJ-SZ2?**
 - Yes.
- **Is the DDJ-SZ2 bus powered?**
 - No.
- **Does the DDJ-SZ2 natively support rekordbox dj?**
 - No, but you can manually MIDI map with limitations (jog wheels not supported).
- **Does the DDJ-SZ2 support Serato Scratch Live?**
 - No, please use Serato DJ. Serato DJ also supports DVS like Serato Scratch Live.

- **How do you enter all lights mode?**
 1. Press and hold SHIFT + DECK 1 on the left side of the controller.
 2. Press the power button.
 3. Press browse knob.
- **How do you enter firmware update mode?**
 1. Connect PC with a USB cable.
 2. Press and hold SHIFT + SYNC buttons on the left side of the controller.
 3. Press the power button.
 4. The top LED (master level meter) will turn on indicating it is in firmware update mode.
 5. Run the download file and update according to instructions.

PR DATE : 20th December 2016

SRP : €2099/£1759/\$1999

[Watch the video](#)

KEY FEATURES

- Dual USB ports.
- RGB performance pads.
- MAGVEL crossfader.
- Oscillator.
- Post fader FX.
- Bundled with PITCH N'TIME DJ.

OVERVIEW

- Mix and scratch instinctively on the controller, which looks and feels similar to a full professional CDJ + DJM set-up.



Pioneer Dj



THANK YOU

WWW.PIONEERDJ.COM

This Dealer Deck is for internal use by authorised Pioneer DJ account holders. Please do not share the deck or its contents with any third parties. ©Pioneer DJ Europe LTD.